

The system

The Classic iNSight is an ultrasound scanner optimized for detecting pregnancies in sows. It makes use of the so-called sector scan technology, which gives the necessary wide angle of view with a very small contact area. The technology also allows optimal beam focusing at the area of interest.

The special color display is designed to give optimal contrast under barn-light conditions, without dazzling the operator.

The completely sealed housing out of durable aluminum protects the electronics against the aggressive environment the unit is used in. To allow easy cleaning after use, it can be cleaned under running tap water.

The Classic iNSight will operate continuously for over 4 hours on the supplied penlite batteries. Whenever this may not be sufficient for a days use, the batteries are exchanged easily or can be recharged quickly.

System set-up

Unpack the batteries and charge them first. First time charging may take somewhat longer than normal and should not be interrupted. Batteries are charged when the red leds on the charger turn blue.

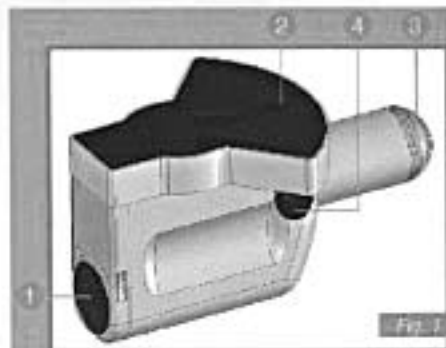
Precaution: Make sure the protection sheet between batteries and charger is removed.

Open the battery compartment of the Classic iNSight by pressing the lid (Fig. 1-1) in, rotating it counter clock-wise and pulling it out. Release the battery holder by turning the unit upside down. Insert the charged batteries in the battery holder as shown in Fig. 2.

Return the battery holder in the Classic iNSight, making sure the contacts are lined-up with the contacts in the unit (Fig. 3). Close the battery compartment by pressing the lid in with the marks lined-up, rotating it clockwise and releasing it.

Check the unit by turning the knob (Fig. 1-4) clock-wise. After the 'click' the display line (Fig. 1-2) will start sweeping from left to right. Sweep angle increases gradually and the image turns on when full sweep is reached. When the knob is turned further, the display line will light-up. Proper intensity is set under operating conditions.

Attach the wrist-strap to the Classic iNSight. (Fig. 4)



Operating instructions

To switch on the unit, the knob (Fig. 1-4) is turned clockwise. The same knob is also used to set the display intensity by turning it clockwise until proper image quality is obtained.

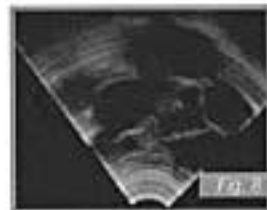
Make sure the knob is returned in the full counterclockwise position to switch off the unit. It should pass the tangible click.

In battery low condition the display line (Fig. 1-2) will stop moving and the centimeter markers will light-up. Switching the unit off and on again will give you some extra scanning minutes.

Instructions for use

Apply sufficient ultrasound scanning gel to the transducer side (Fig. 1-3) of the Classic iNSight.

Press the unit against the sow in either the left or right loin area (Fig. 6). Tilt slightly upward to visualize the pelvic structures (Fig. 7). Whenever the sow is in gestation, the yolk sacs will become visible as dark semi-round structures. (Fig. 8) Easiest detection is achieved as of 24 days gestation.



Maintenance

The Classic iNSight meets the IP 65 standard. This means that the unit can be cleaned under running tap water. The material is resistant to most cleaning fluids. All soaps may be used. Disinfectants may be used to disinfect the unit. In case alcohol is used, concentration may not exceed 70%.

Precaution: Solvents may not be used.

The unit can be cleaned with a brush, however care should be taken not to scratch the display face-plate.

In case an air-bubble shows under the transducer cap (Fig. 1-3) keep the unit upright (transducer cap pointing down) for appr. 2 minutes to allow the bubble to disappear in the built-in air-bubble trap.

From time to time the O-ring on the battery-lid (Fig. 1-1) should be greased to allow easy opening and closing. Regular oil can be used.

Whenever the unit will not be used for a prolonged period of time, the batteries should be removed from the unit and the battery holder.

Precaution: Rechargeable batteries have a higher internal leakage current than regular batteries and de-charge without being used.

PharVision Ultrasound
www.pharvision.com
(800) 722-6838